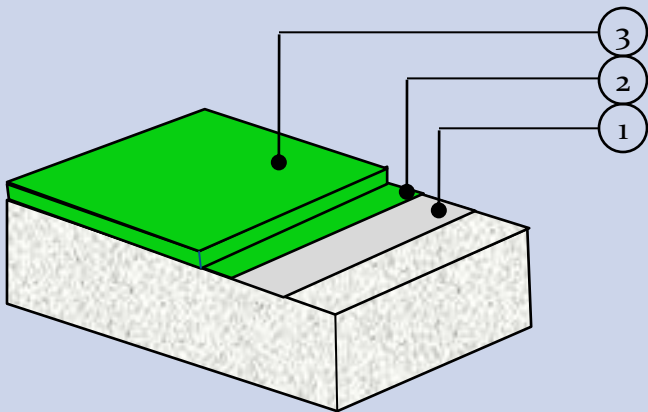


# SELF-SMOOTHING EPOXY



## SYSTEM LAYOUT



Avg. 1.0mmT - 1.5mmT

## LAYERS

1. Primer
  - TR-SF, Solvent-free
  - TR-130, Water-based
  - TR-180, Solvent-based
2. Seal Coat
  - TR-SF, Solvent-free
3. Self-Smoothing Top Coat
  - TR-200, Solvent-free

## FUNCTION OF LAYERS

- Able to bond on mild damp / oil concrete surface.
  - Act as sealer for concrete surface for dust prevention.
- Seals off holes, crack-lines, crevices, etc.
  - Prevents finishing coat from seeping into the concrete floor
- Provides gloss and smooth finish with compressive strength of 70N/mm<sup>2</sup> (about 700kg/cm<sup>2</sup>)